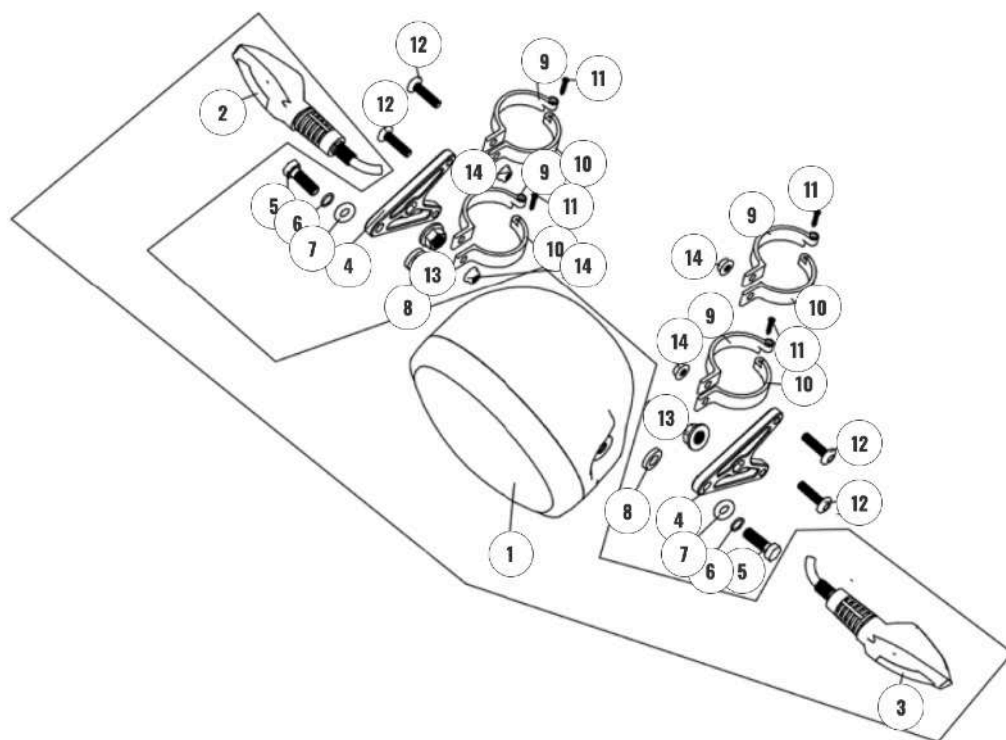
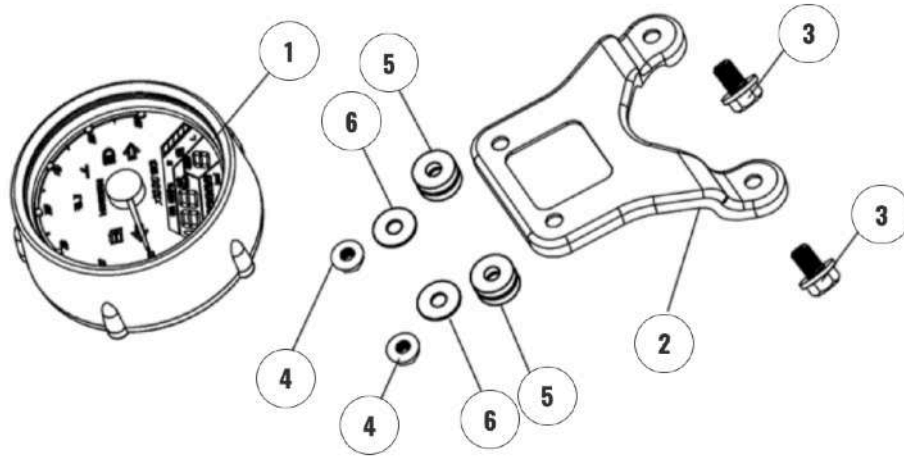


HEAD LIGHT



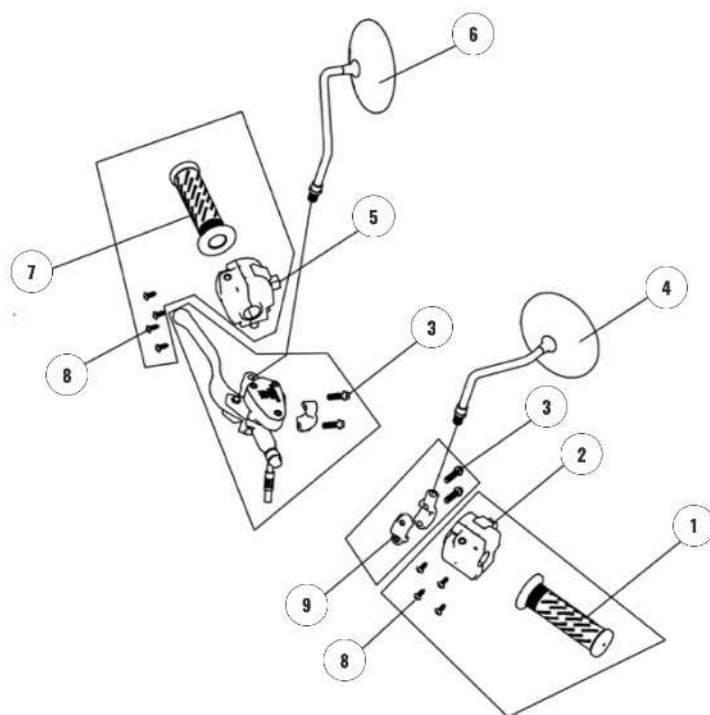
N°	PIÈCE	RÉFÉRENCE
1	Headlight	HORWIN0190
2	Front right turn signal	HORWIN0098
3	Front left turn signal	HORWIN0099
4	Headlight bracket	HORWIN0161
5	Galvanized hexagon flat head screw (white)	
6	Galvanized M8 spring pad (white)	
7	Galvanized pad (white)	
8	Rubber pad	HORWIN0038
9	Headlight bracket connection support (upper)	HORWIN0175
10	Headlight bracket connection support (lower)	HORWIN0176
11	Galvanized cross countersunk head bolt (white)	
12	Galvanized hexagon socket head cap screws (white)	
13	Galvanized M6 self-locking nut (white)	
14	Galvanized M8 hex flange nut (white) with pitch 1.5	

SPEEDOMETER



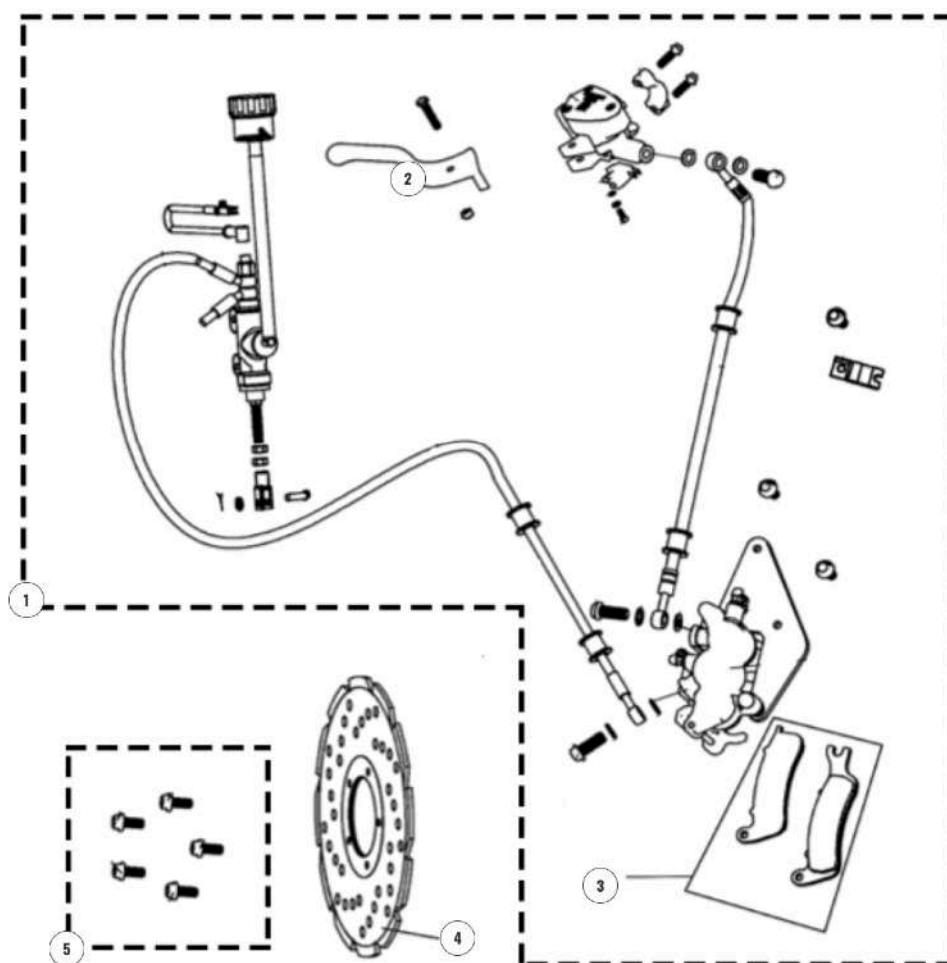
N°	PIÈCE	RÉFÉRENCE
1	Instrument (round)	HORWIN0187
2	Instrument stand	HORWIN0073
3	M8*12 in galvanization (white)	
4	Galvanized M6 cap nut (black)	
5	Front rubber cover	HORWIN0040
6	Galvanized M6 gasket (black)	

HANDLE LEVER / SWITCH / BACK MIRROR



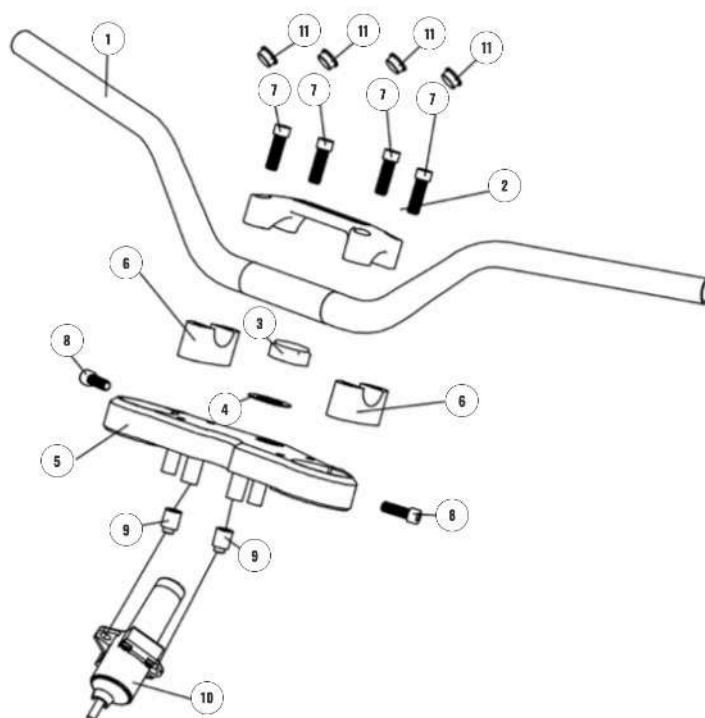
N°	PIÈCE	RÉFÉRENCE
1	Left handle rubber cover	HORWIN0054
2	Left handle switch	HORWIN0109
3	Galvanized M6*25 cylindrical hexagon screw (white)	
4	Left rear view mirror	HORWIN0082
5	Right handle switch	HORWIN0110
6	Right rear view mirror	HORWIN0083
7	Right handle rubber cover	HORWIN0076
8	Galvanized M5*12 cross bolt (white)	
9	Left mirror holder	HORWIN0039

FRONT BRAKE



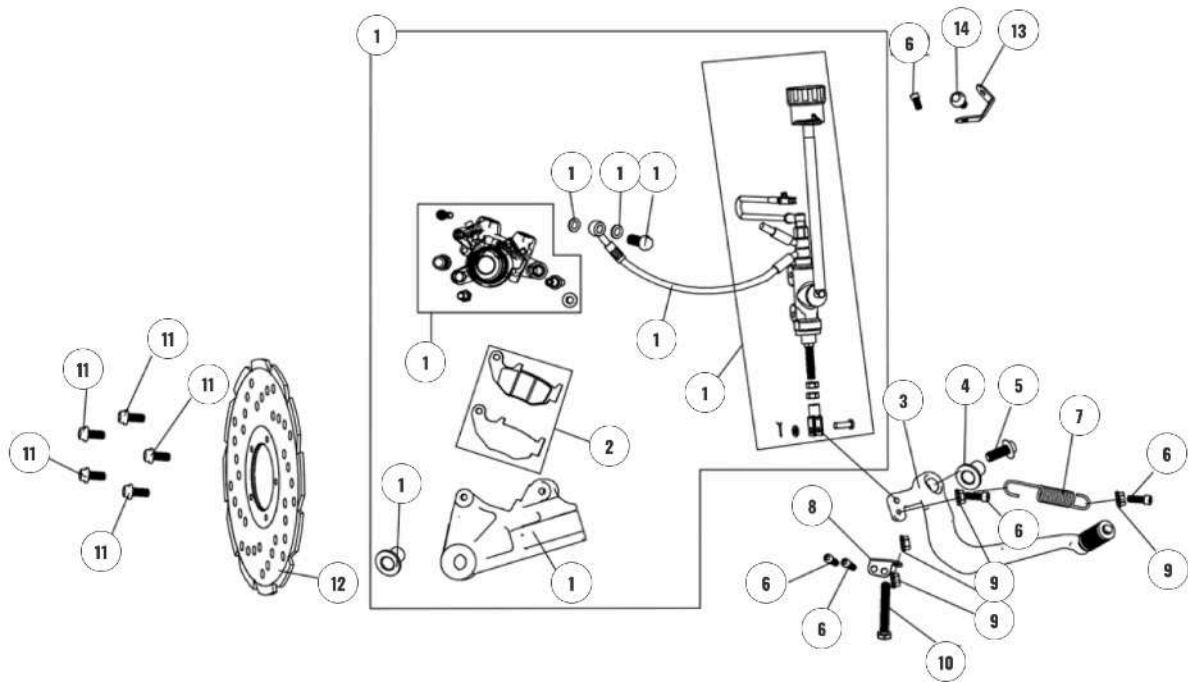
N°	PIÈCE	RÉFÉRENCE
1	Disc brake assembly	HORWIN0194
2	Front brake lever	HORWIN0057
3	Front brake pads	HORWIN0092
4	Front brake disc	HORWIN0143
5	M8*25 screws	HORWIN0482

HANDLE PIPE / TOP BRIDGE



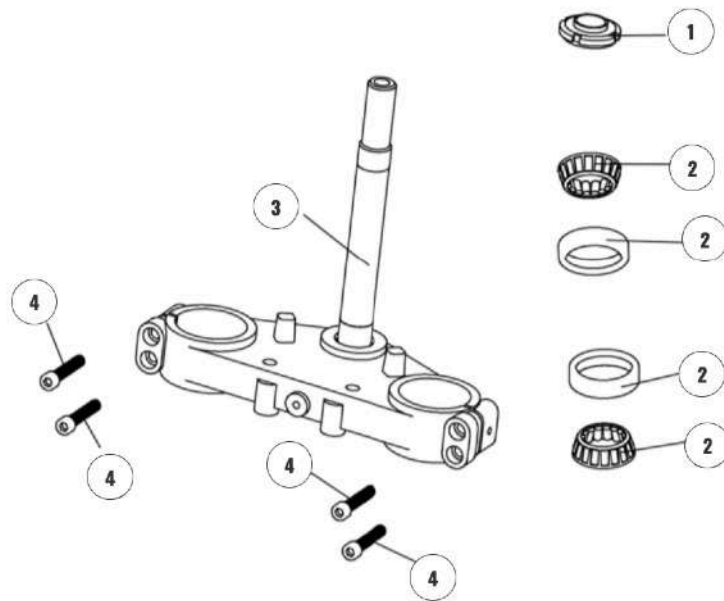
N°	PIÈCE	RÉFÉRENCE
1	Steering handle	HORWIN0159
2	Upper pressure block (joint)	HORWIN0160
3	M22 cap nut	
4	M22 washer	
5	Uplink board	HORWIN0177
6	Lower pressure block	HORWIN0129
7	Galvanized M8*65 cylindrical hex screw (white)	
8	Galvanized M8*25 cylindrical hexagon screw (white)	
9	Galvanized inner lock set sleeves (black)	
10	Storage box lock	HORWIN0130
11	Briquetting bolt cap buckle (black)	

REAR BRAKE



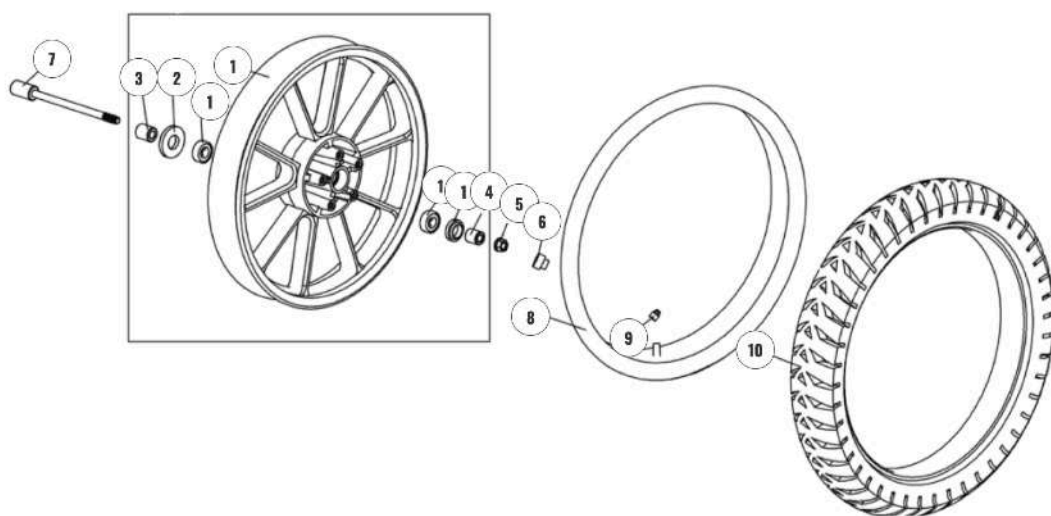
N°	PIÈCE	RÉFÉRENCE
1	Disc brake assembly	HORWIN0195
2	Rear brake pads	HORWIN0128
3	Brake pedal	HORWIN0074
4	Rear brake pedal bushing	
5	Galvanized M10 bolts without flange (white)	
6	Galvanized M6*12 cylindrical hexagon screw (white)	
7	Brake pedal spring	HORWIN0034
8	Brake pedal limit bracket	HORWIN0042
9	Galvanized M6 hexagon flange nut (white)	
10	Galvanized M6*25 bolts without flange (white)	
11	M8*25 screws	HORWIN0482
12	Rear brake disc	HORWIN0137
13	Rear brake disc oil cup bracket	HORWIN0047
14	Galvanized M6*12 non-standard hexagon step 2.6	

STEERING STEM



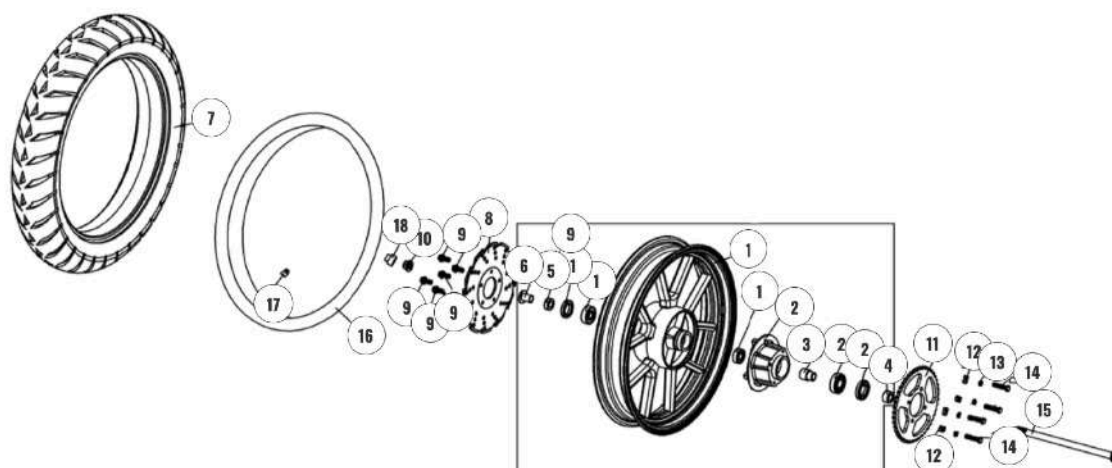
N°	PIÈCE	RÉFÉRENCE
1	M22 lock nut (without dust cover)	
2	Off-road 30205 (INNER 25 OUTER 52 THICKNESS 16.25)	
3	LOWER PLATE (WITH COLUMN)	HORWIN0180
4	GALVAIZED CYLINDRICAL HEXAGON SCREW (WHITE)	

FRONT WHEEL



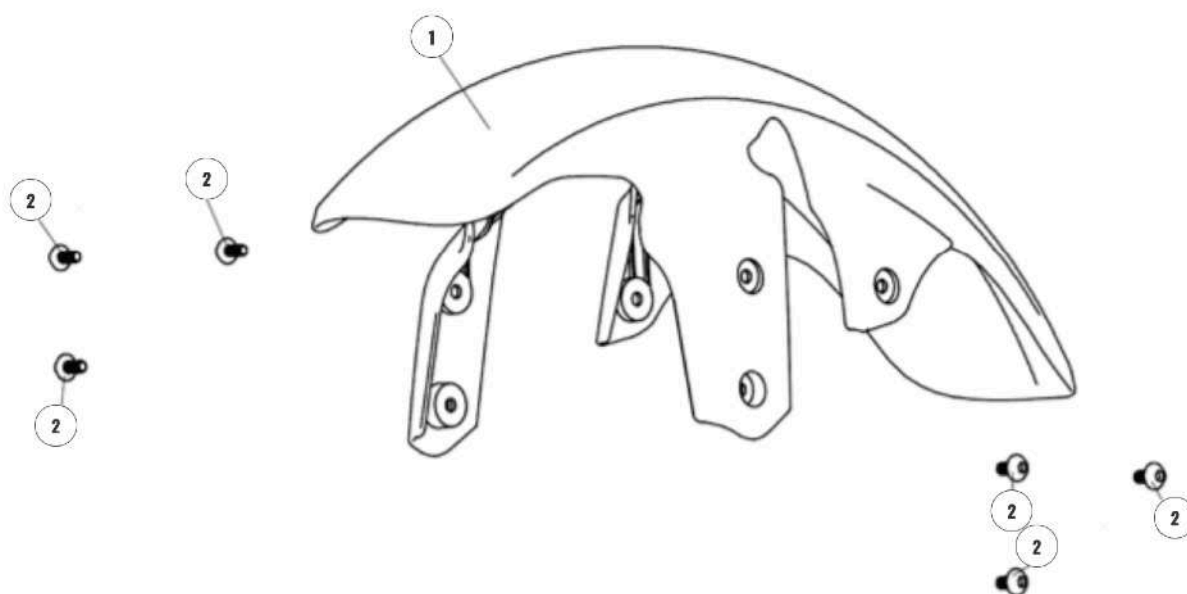
N°	PIÈCE	RÉFÉRENCE
1	FRONT WHEEL	HORWIN0186
2	FRONT WHEEL SEAL	
3	GALVANIZED FRONT WHEEL LEFT BEARING SLEEVE (WHITE)	
4	GALVANIZED FRONT WHEEL RIGHT BEARING SLEEVE	
5	GALVANIZED M12 SELF-LOCKING NUT (WHITE)	
6	WHEEL AXLE COVER (17)	
7	GALVANIZED HEXAGON FRONT AXLE (WHITE)	
8	FRONT WHEEL INNER TUBE	HORWIN0145
9	NIPPLE COVER (BLACK)	
10	FRONT TIRE	HORWIN0181

REAR WHEEL



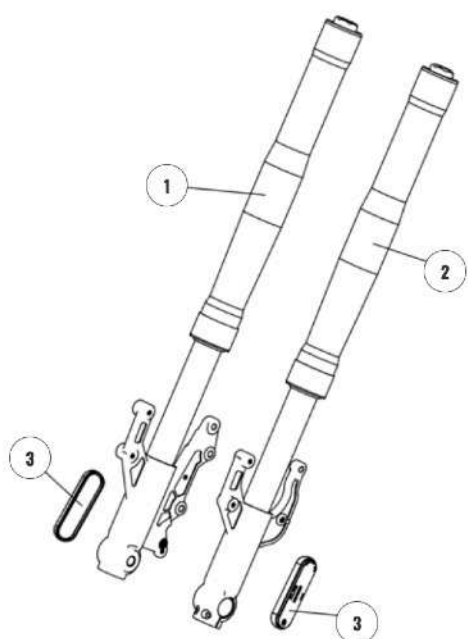
N°	PIÈCE	RÉFÉRENCE
1	REAR WHEEL	HORWIN0185
2	SPROCKET SEAT	HORWIN0144
3	GALVANIZED SPROCKET INNER BEARING BUSHING (WHITE)	
4	GALVANIZED REAR WHEEL LEFT BEARING SLEEVE (WHITE)	
5	GALVANIZED REAR WHEEL RIGHT BEARING SLEEVE (WHITE)	
6	GALVANIZED REAR DISC BRAKE BUSHING (WHITE)	
7	REAR TIRE	HORWIN0183
8	REAR BRAKE DISC	HORWIN0137
9	M8*25 SCREWS	
10	GALVANIZED M14 SELF-LOCKING NUT (WHITE)	HORWIN0481
11	SPROCKET WHEEL	HORWIN0142
12	DOUBLE TRIMMING NUT	
13	SPROCKET LOCK	
14	GALVANIZED BOLTS WITHOUT FLANGE(WHITE)	
15	GALVANIZED REAR AXLE (WHITE)	
16	REAR TIRE INNER TUBE	HORWIN0153
17	NIPPLE COVER (BLACK)	
18	WHEEL AXLE COVER (19)	

FRONT FENDER



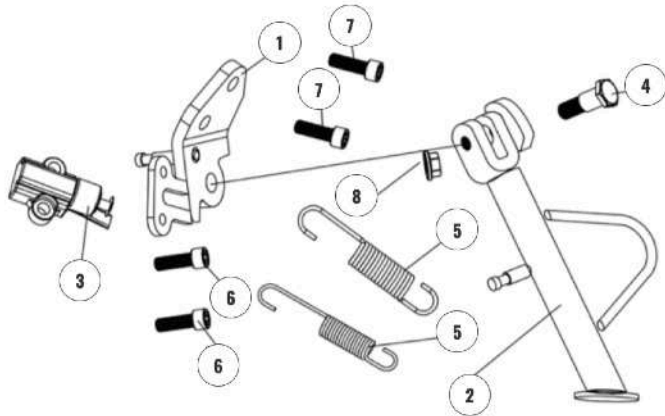
N°	PIÈCE	RÉFÉRENCE
1	FRONT FENDER	HORWIN0140
2	GALVANIZED M6*12 NON-STANDARD HEXAGON. STEP 2.6	HORWIN0480

FRONT FORK



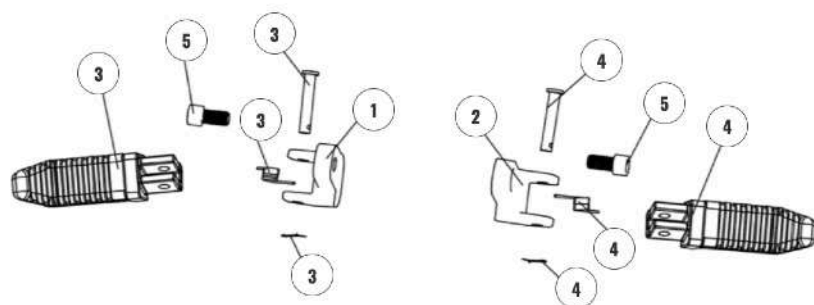
N°	PIÈCE	RÉFÉRENCE
1	FRONT RIGHT SHOCK ABSORPTION	HORWIN0191
2	FRONT LEFT SHOCK ABSORPTION	HORWIN0192
3	SIDE REFLECTOR	HORWIN0055

STAND



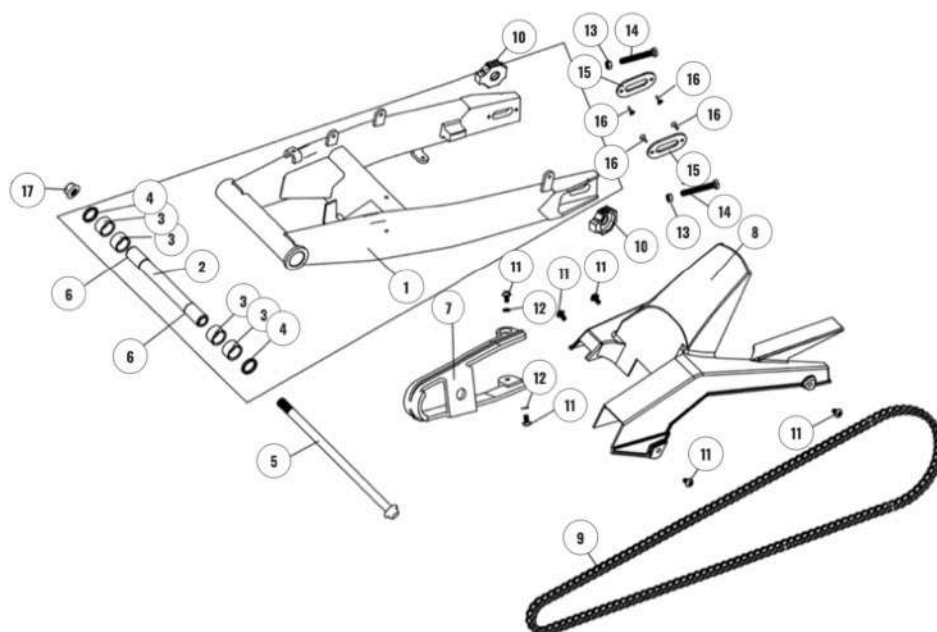
N°	PIÈCE	RÉFÉRENCE
1	SIDE BRACKET MOUNT	HORWIN0097
2	SIDE SUPPORT	HORWIN0111
3	FLAMEOUT SWITCH	HORWIN0087
4	NON-STANDARD HEX SHAFT BOLT	
5	SIDE BRACKET DOUBLE SPRING	HORWIN0045
6	GALVANIZED CYLINDRICAL HEXAGON SCREW(WHITE)	
7	GALVANIZED M10*25 CYLINDRICAL HEXAGONAL1.5 PITCH	
8	GALVANIZED M10 HEX FLANGE NUT (WHITE) PITCH 1.5	

STEP



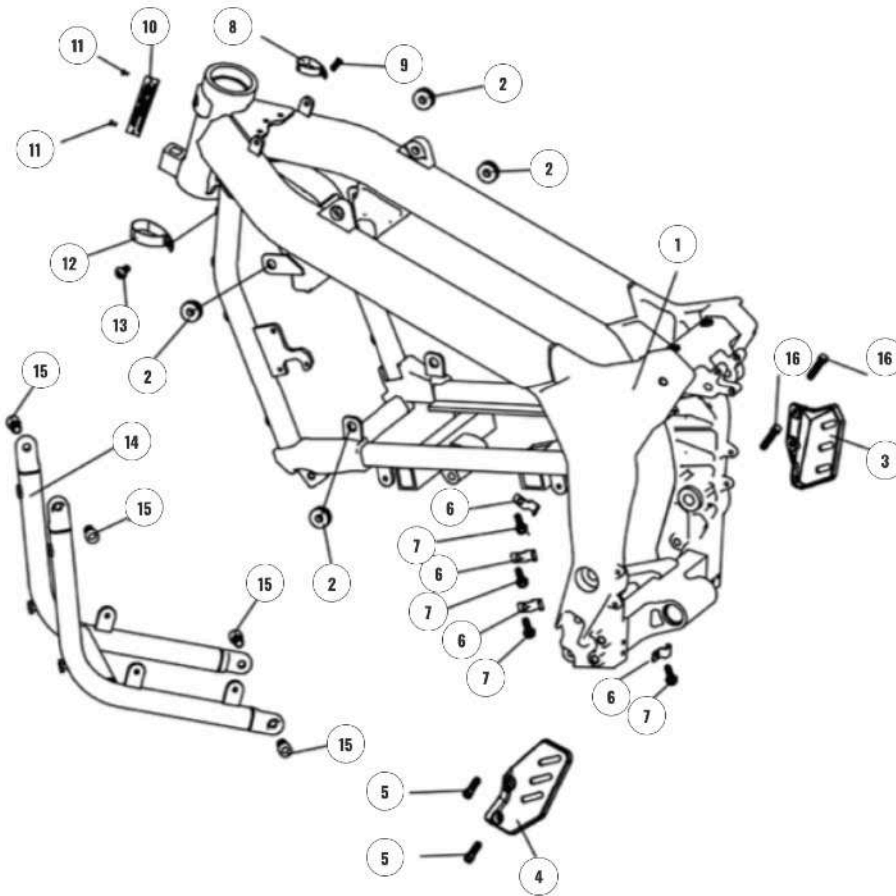
N°	PIÈCE	RÉFÉRENCE
1	LEFT PEDAL FIX	HORWIN0100
2	RIGHT PEDAL FIX	HORWIN0101
3	FRONT LEFT PEDAL (WITH ACCESSORIES)	HORWIN0089
4	FRONT RIGHT PEDAL (WITH ACCESSORIES)	HORWIN0090
5	GALVANIZED M10*25 CYLINDRICAL HEXAGONAL 1.5 PITCH	

SWINGARM



N°	PIÈCE	RÉFÉRENCE
1	REAR FORK	HORWIN0196
2	REAR FORK INNER TUBE (INSIDE)	
3	REAR FORK BEARING	
4	REAR FORK SEAL	
5	GALVANIZED REAR FORK BEARING (WHITE)	HORWIN0071
6	REAR FORK INNER TUBE (OUTSIDE)	
7	CHAIN SLIDER RUBBER	HORWIN0088
8	CHAIN BOX	HORWIN0091
9	CHAIN	HORWIN0112
10	CHAIN ADJUSTER	HORWIN0095
11	GALVANIZED M6*12 NON-STANDARD HEXON . STEP 2.6	
12	CHAIN SLIDER BUSHING	
13	GALVANIZED M8 WITHOUT FLANGE NUT (WHITE)	
14	GALVANIZED M8 WITHOUT FLANGE NUT (WHITE)	
15	REAR AXLE OVAL GASKET	HORWIN0062
16	GALVANIZED M5*12 CROSS COUNTERSUNK HEAD BOLT	
17	GALVANIZED M14 SELF-LOCKING NUT (WHITE)	

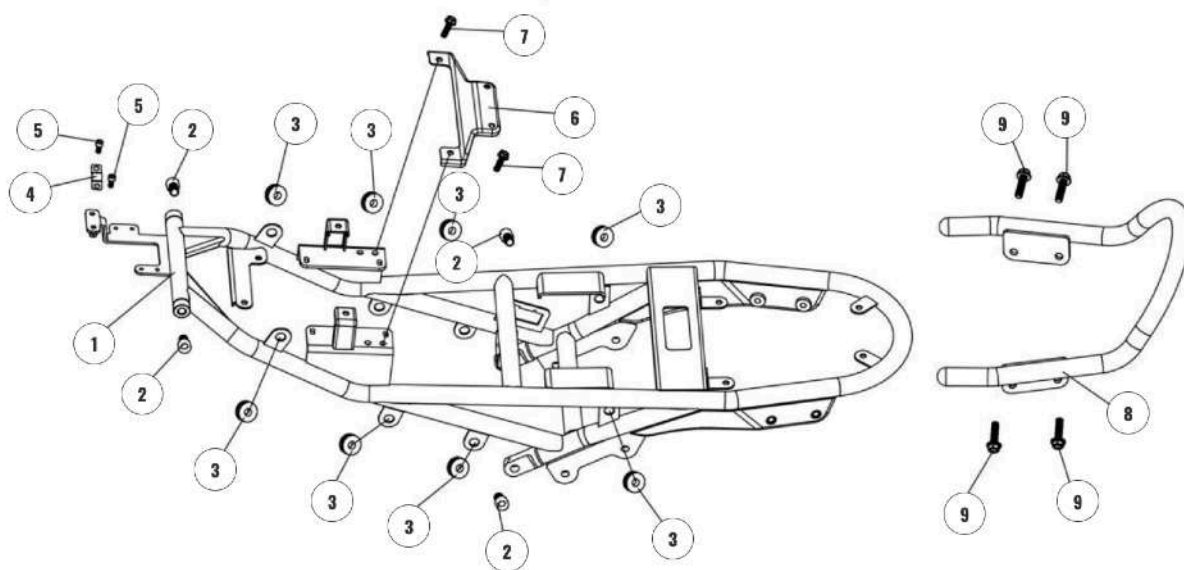
FRAME BODY



N°	PIÈCE	RÉFÉRENCE
1	MAIN FRAME (ALUMINUM ALLOY)	HORWIN0200
2	RUBBER PAD	HORWIN0038
3	REAR SHOCK ABSORPTION SHIELD	HORWIN0067
4	LEFT SHIELD	HORWIN0077
5	GALVANIZED M6*12 CYLINDRICAL HEXAGON SCREW (WHITE)	
6	WIRE CLIP	HORWIN0059
7	GALVANIZED M6*12 SCREW (WHITE)	
8	CLUTCH WIRE CLAMP	HORWIN0035
9	GALVANIZED M5*12 CROSS BOLT (WHITE)	
10	NAMEPLATE BLACK	
11	GALVANIZED RIVET 3.2*10 (WHITE)	
12	CLIP	HORWIN0043

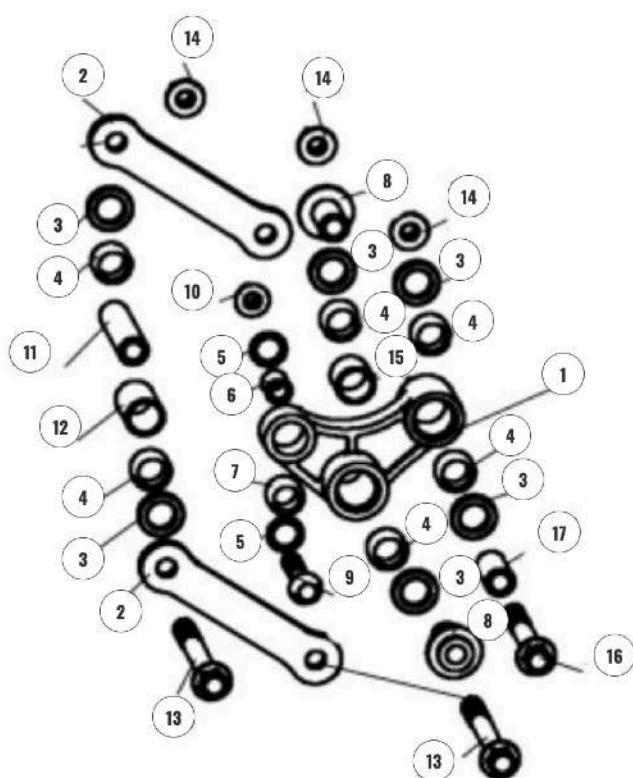
N°	PIÈCE	RÉFÉRENCE
13	GALVANIZED M6*12 NON-STANDARD HEXON . STEP 2.6	
14	MOTOR LOWER PROTECTIVE FRAME (ALUMINUM ALLOY)	HORWIN0182
15	GALVANIZED CYLINDRICAL HEXAGON SCREW(WHITE)	
16	GALVANIZED M6*25 CYLINDRICAL HEXAGON SCREW(WHITE)	

REAR FRAME



N°	PIÈCE	RÉFÉRENCE
1	SUB FRAME (TAIL FRAME)	HORWIN0189
2	GALVANIZED M10*25 CYLINDRICAL HEXAGONAL 1.5 PITCH	
3	RUBBER PAD	HORWIN0038
4	SPEED CONTROL WIRE CLAMP	HORWIN0036
5	GALVANIZED M5*10 CYLINDRICAL HEXAGON SCREW (WHITE)	
6	STORAGE COMPARTMENT COVER (REAR) BRACKET	HORWIN0065
7	GALVANIZED M6*10 SCREW (WHITE)	
8	REAR ARMREST (SHELF)	HORWIN0152
9	GALVANIZED M8*30 SCREW (WHITE)	

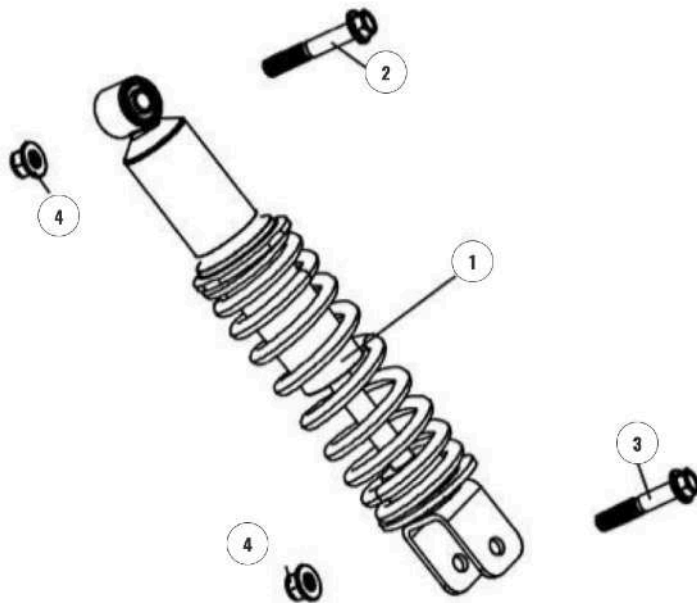
THE ROCKER ARM



N°	PIÈCE	RÉFÉRENCE
1	REAR SHOCK ABSORBER CONNECTION FRAME (CRADLE)	HORWIN0156
2	SHOCK ABSORBER REAR CRADLE CONNECTING ROD	HORWIN0131
3	REAR SHOCK ABSORPTION LOWER SEAL	HORWIN0081
4	REAR SHOCK ABSORPTION LOWER BEARING	HORWIN0063
5	REAR SHOCK ABSORPTION LOWER SEAL	HORWIN0154
6	REAR SHOCK ABSORPTION LOWER BEARING	HORWIN0147
7	REAR SHOCK ABSORPTION LOWER SLEEVE	HORWIN0080
8	SMALL INNER SLEEVE OF CONNECTING ROD IRON PLATE	HORWIN0046
9	GALVANIZED M10*55 SCREW (WHITE)	
10	GALVANIZED M10 SELF-LOCKING NUT (WHITE)	
11	SMALL INNER SLEEVE OF CONNECTING ROD IRON PLATE	HORWIN0171
12	GALVANIZED BIG INNER SLEEVE OF CONNECTING ROD	HORWIN0052

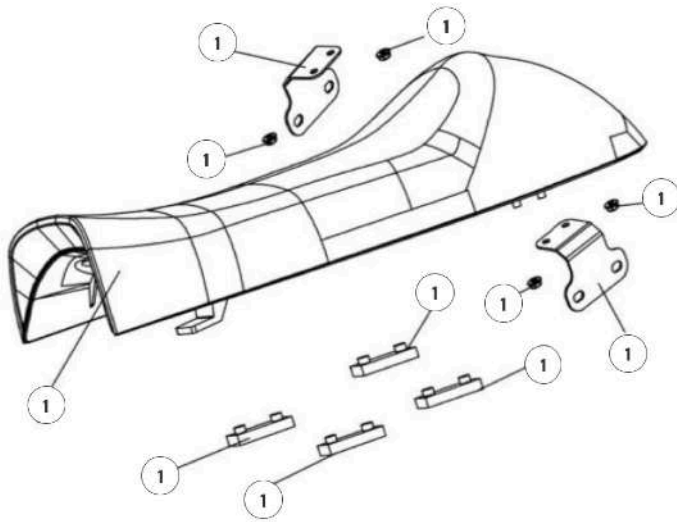
N°	PIÈCE	RÉFÉRENCE
13	GALVANIZED M12*105 SCREW (WHITE)	
14	GALVANIZED M12 SELF-LOCKING NUT (WHITE)	
15	GALVANIZED BIG INNER SLEEVE OF CONNECTING ROD	HORWIN0501
16	GALVANIZED M12*90 SCREW (WHITE)	
17	FORK CONNECTING ROD BUSHING	HORWIN0084

REAR CUSHION



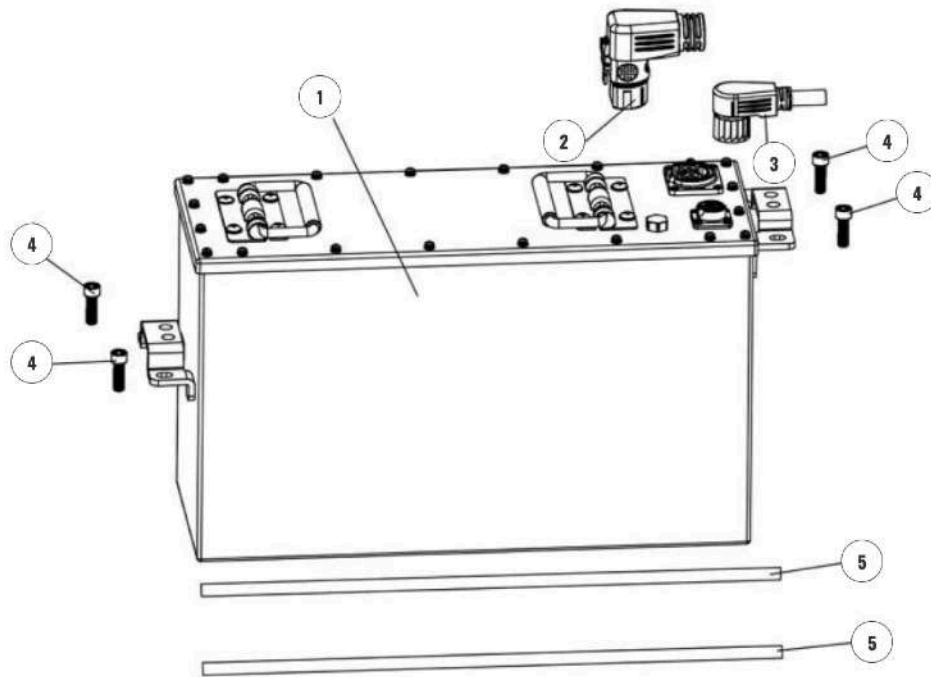
N°	PIÈCE	RÉFÉRENCE
1	REAR SHOCK ABSORPTION	HORWIN0188
2	GALVANIZED M10*75 SCREW (WHITE)	
3	GALVANIZED M10*50 SCREW (WHITE)	
4	GALVANIZED M10 SELF-LOCKING NUT (WHITE)	

SEAT



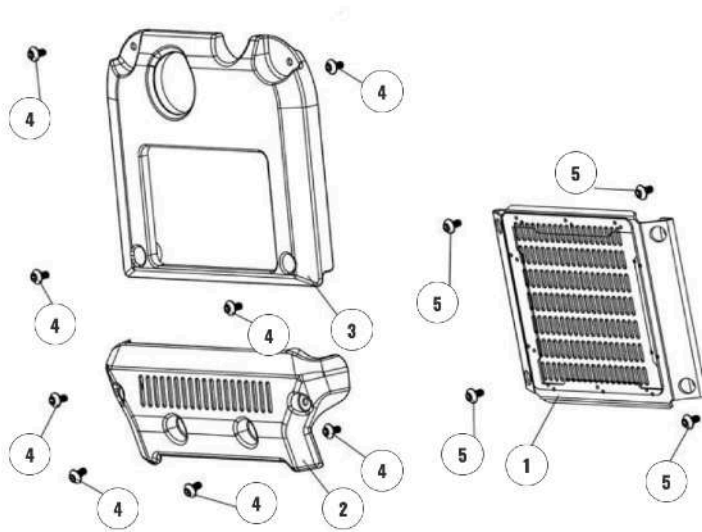
N°	PIÈCE	RÉFÉRENCE
1	SEAT CUSHION	HORWIN0174

BATTERY



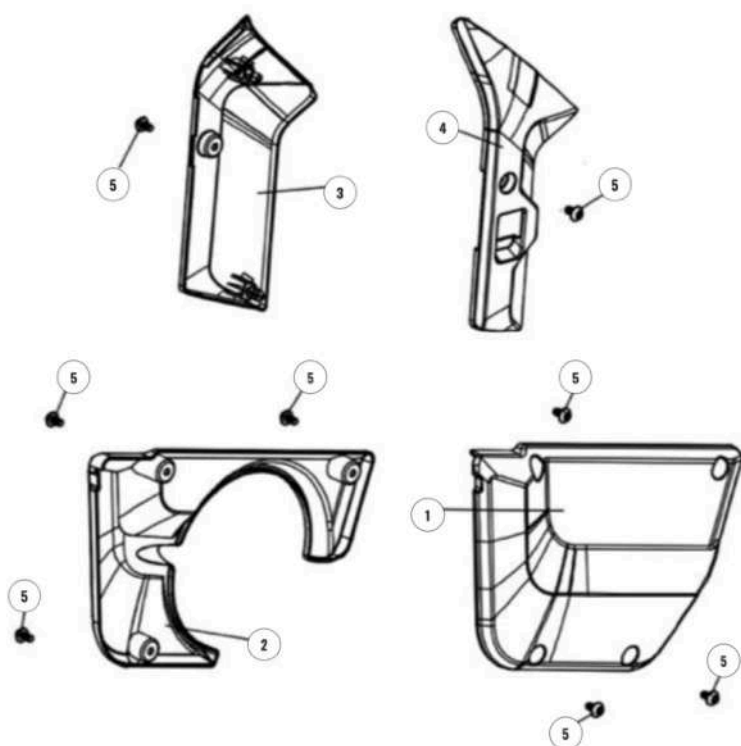
N°	PIÈCE	RÉFÉRENCE
1	LITHIUM BATTERY	HORWIN0201
2	DISCHARGE CONNECTOR	HORWIN0184
3	VEHICLE CHARGER CABLE	HORWIN0173
4	GALVANIZED M8*25 SCREW (WHITE)	
5	T400 BATTERY STRIP	

FRONT COVER



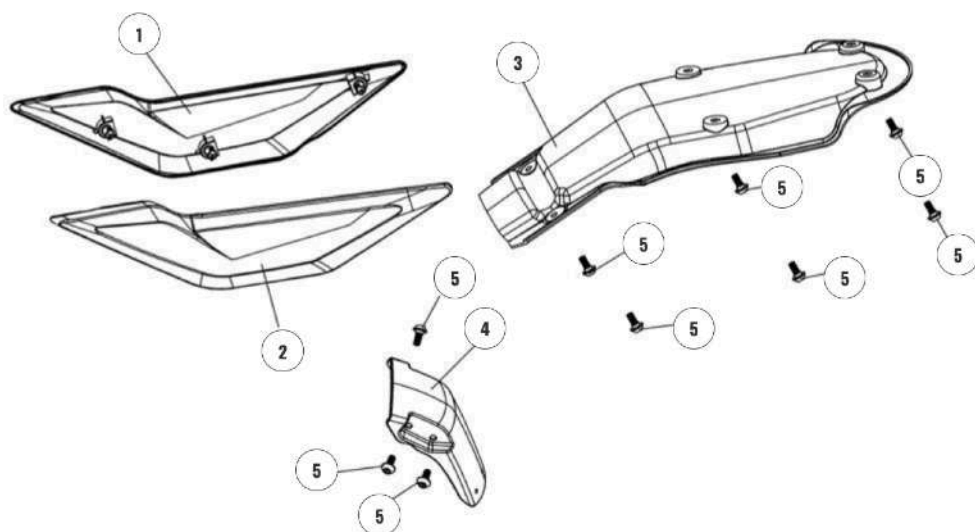
N°	PIÈCE	RÉFÉRENCE
1	STENCIL	HORWIN0179
2	OIL COOLER UPPER BAFFLE	HORWIN0061
3	FRONT CONTROLLER GUARD	HORWIN0079
4	GALVANIZED M6*12 NON-STANDARD HEXAGON. STEP 2.6	
5	GALVANIZED M6*12 NON-STANDARD HEXON . STEP 2.6	

BODY COVER



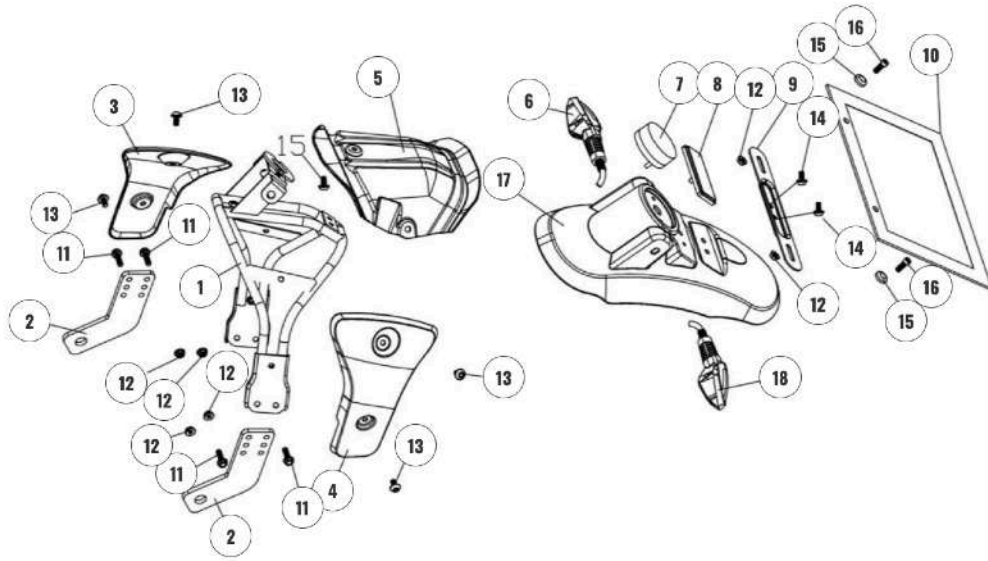
N°	PIÈCE	RÉFÉRENCE
1	MOTOR LEFT GUARD	HORWIN0136
2	MOTOR RIGHT GUARD	HORWIN0104
3	BATTERY LEFT GUARD	HORWIN0134
4	BATTERY RIGHT GUARD	HORWIN0135
5	Φ12Φ6*1 GALVANIZED NON-STANDARD M6 GASKET (WHITE)	

REAR COVER



N°	PIÈCE	RÉFÉRENCE
1	RIGHT SIDE COVER-WHITE	HORWIN0115
	RIGHT SIDE COVER-BLACK	HORWIN0116
	RIGHT SIDE COVER-GREEN	HORWIN0118
	RIGHT SIDE COVER-BLUE	HORWIN0117
2	LEFT SIDE COVER-WHITE	HORWIN0119
	LEFT SIDE COVER-BLACK	HORWIN0120
	LEFT SIDE COVER-GREEN	HORWIN0122
	LEFT SIDE COVER-BLUE	HORWIN0121
3	REAR FENDER	HORWIN0096
4	REAR SHOCK ABSORPTION SHIELD	HORWIN0067
5	GALVANIZED M6*12 NON-STANDARD HEXAGON. STEP 2.6	

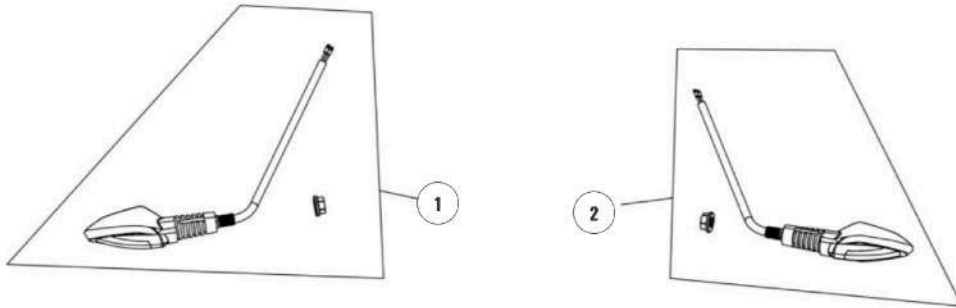
REAR FENDER



N°	PIÈCE	RÉFÉRENCE
1	REAR FENDER BRACKET	HORWIN0155
2	REAR FENDER BRACKET LEFT CONNECTING PLATE	HORWIN0075
3	REAR FENDER RIGHT GUARD	HORWIN0069
4	REAR FENDER LEFT GUARD	HORWIN0066
5	REAR FENDER LINING	HORWIN0078
6	REAR RIGHT TURN SIGNAL	HORWIN0113
7	TAIL LIGHT (TAIL LIGHT. BRAKE LIGHT . A7 DIODE)	
8	REAR REFLECTOR	HORWIN0041
9	REAR LICENSE BRACKET	HORWIN0064
10	REAR POST BILLBOARD	HORWIN0048
11	GALVANIZED M6*16 SCREW (WHITE)	
12	GALVANIZED M6 SELF-LOCKING NUT (WHITE)	
13	GALVANIZED M6*12 NON-STANDARD HEX . STEP 2.6	
14	GALVANIZED M6*12 NON-STANDARD HEXON . STEP 2.6	
15	HEXAGONAL BILLBOARD ALUMINUM PAD	
16	GALVANIZED M6*15 CYLINDRICAL HEXAGON SCREW(WHITE)	

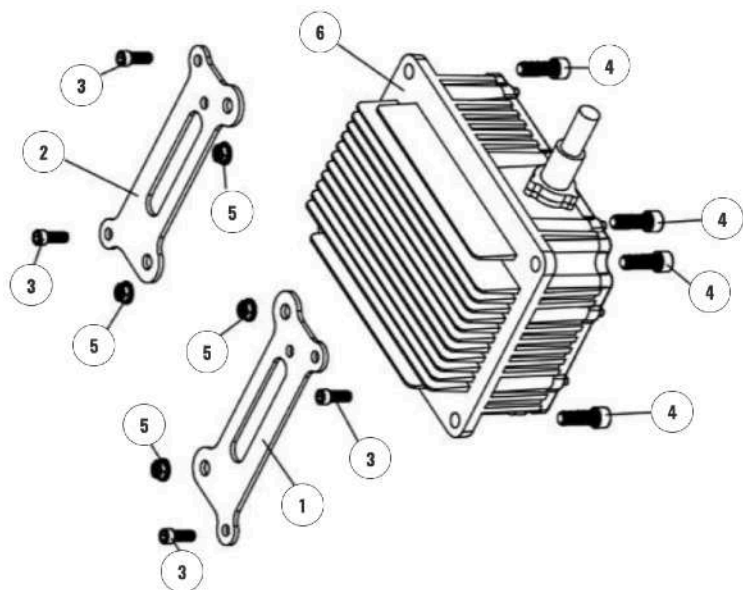
N°	PIÈCE	RÉFÉRENCE
17	REAR FENDER	HORWIN0103
18	REAR LEFT TURN SIGNAL	HORWIN0114

REAR TURN SIGNAL



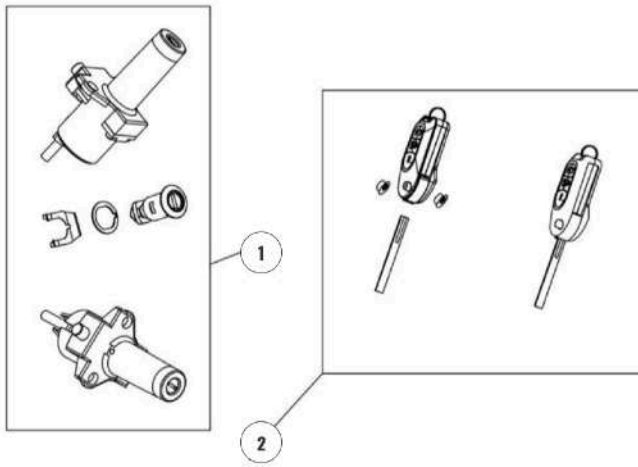
N°	PIÈCE	RÉFÉRENCE
1	REAR RIGHT TURN SIGNAL	HORWIN0113
2	REAR LEFT TURN SIGNAL	HORWIN0114

CONTROLLER / ECU



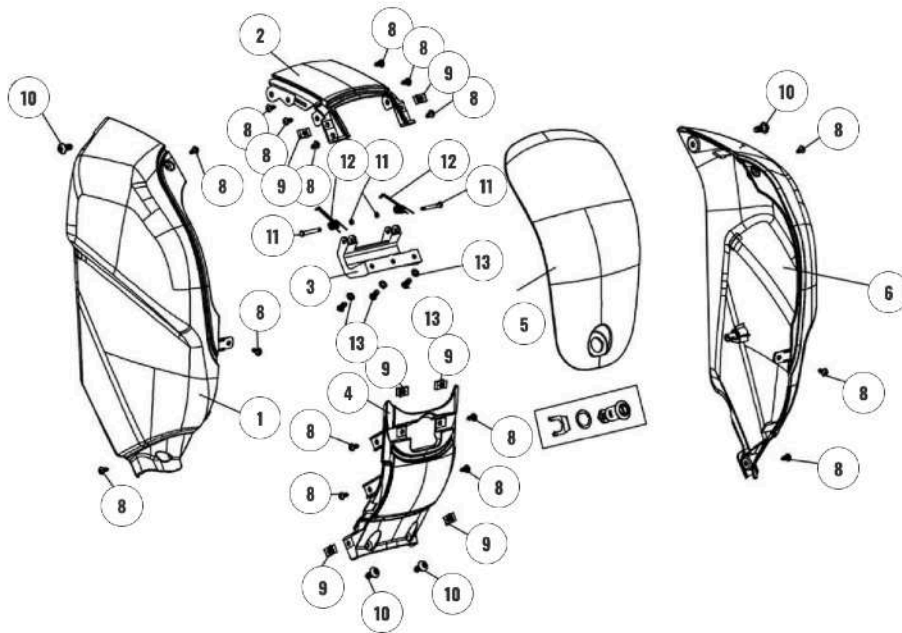
N°	PIÈCE	RÉFÉRENCE
1	CONTROLLER LEFT BRACKET	
2	CONTROLLER RIGHT BRACKET	
3	GALVANIZED M6*10 SCREW (WHITE)	
4	GALVANIZED M8*25 SCREW (WHITE)	
5	GALVANIZED M8 SELF-LOCKING NUT (WHITE)	
6	CONTROLLER	HORWIN0197

KEY & LOCK



N°	PIÈCE	RÉFÉRENCE
1	STORAGE BOX LOCK	HORWIN0130
2	KEY	HORWIN0139

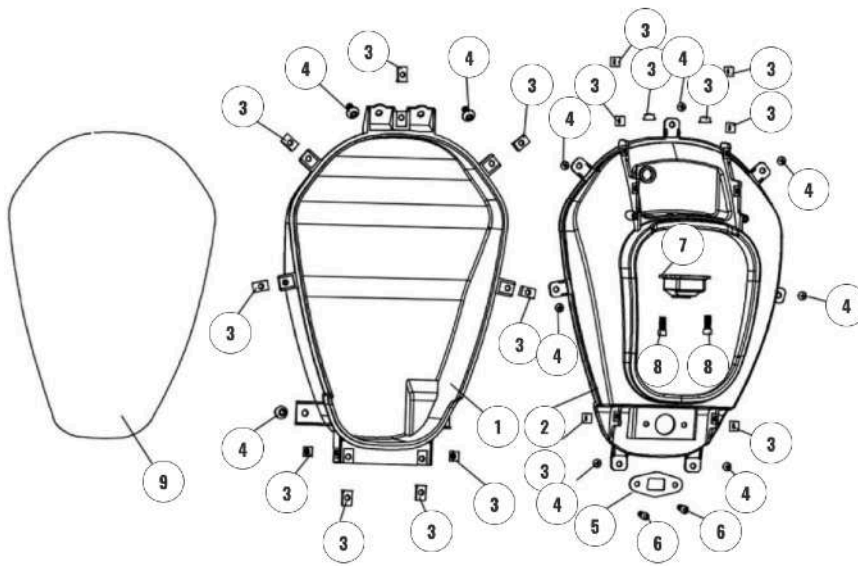
INNER BOX COVER



N°	PIÈCE	RÉFÉRENCE
1	STORAGE BOX LEFT DECORATIVE PANEL-WHITE	HORWIN0163
	STORAGE BOX LEFT DECORATIVE PANEL-BLACK	HORWIN0164
	STORAGE BOX LEFT DECORATIVE PANEL-GREEN	HORWIN0166
	STORAGE BOX LEFT DECORATIVE PANEL-BLUE	HORWIN0165
2	STORAGE BOX COVER (FRONT)-WHITE	HORWIN0105
	STORAGE BOX COVER (FRONT)-BLACK	HORWIN0106
	STORAGE BOX COVER (FRONT)-GREEN	HORWIN0108
	STORAGE BOX COVER (FRONT)-BLUE	HORWIN0107
3	STORAGE BOX HOOK	HORWIN0056
4	STORAGE BOX COVER (REAR)-WHITE	HORWIN0124
	STORAGE BOX COVER (REAR)-BLACK	HORWIN0125
	STORAGE BOX COVER (REAR)-GREEN	HORWIN0127
	STORAGE BOX COVER (REAR)-BLUE	HORWIN0126
5	STORAGE BOX COVER-WHITE	HORWIN0148
	STORAGE BOX COVER-BLACK	HORWIN0149
	STORAGE BOX COVER-GREEN	HORWIN0151

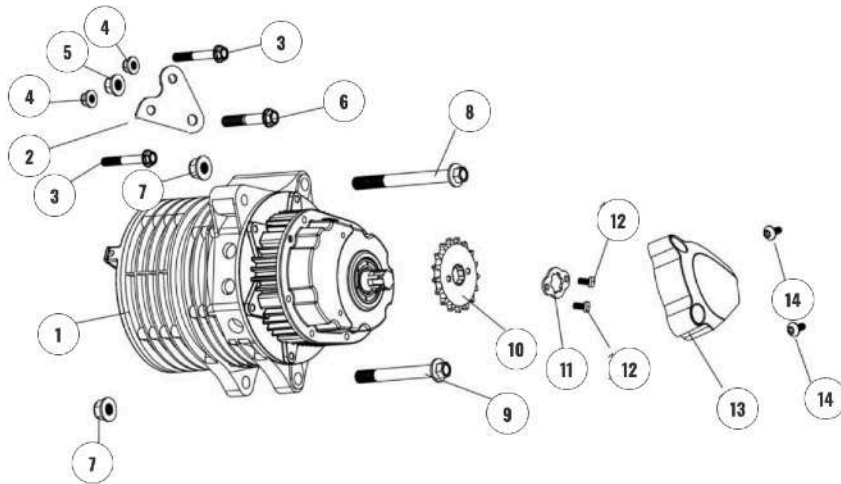
N°	PIÈCE	RÉFÉRENCE
	STORAGE BOX COVER-BLUE	HORWIN0150
6	STORAGE BOX RIGHT DECORATIVE PANEL-WHITE	HORWIN0167
	STORAGE BOX RIGHT DECORATIVE PANEL-BLACK	HORWIN0168
	STORAGE BOX RIGHT DECORATIVE PANEL-GREEN	HORWIN0170
	STORAGE BOX RIGHT DECORATIVE PANEL-BLUE	HORWIN0169
7	STORAGE BOX LOCK	HORWIN0130
8	ST4.2x16 (ARMY GREEN) SELF-TAPPING SCREWS	
9	GALVANIZED SELF-TAPPING NAIL VEHICLED (WHITE)	
10	GALVANIZED M6*12 NON-STANDARD HEX . STEP 2.6	
11	STORAGE BOX BOLT	HORWIN0044
12	STORAGE BOX RETURN SPRING	HORWIN0053
13	GALVANIZED CROSS BOLT AND GASKET (WHITE) M5*12	

INNER BOX



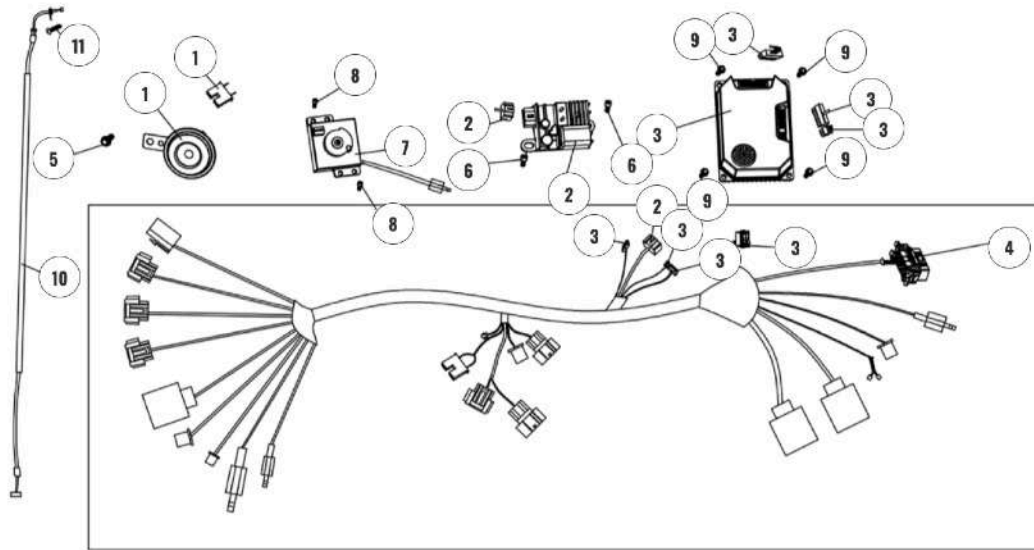
N°	PIÈCE	RÉFÉRENCE
1	STORAGE BOX LOWER	HORWIN0132
2	STORAGE BOX UPPER	HORWIN0123
3	GALVANIZED SELF-TAPPING NAIL VEHICLED (WHITE)	
4	ST4.2x16 (ARMY GREEN) SELF-TAPPING SCREWS	
5	STORAGE BOX LOCK LIMIT BRACKET	HORWIN0049
6	GALVANIZED M5*12 SCREW (WHITE)	
7	VEHICLE PHONE CHARGER. SECOND GENERATION CHARGER	HORWIN0094
8	GALVANIZED M5*16 HEX SOCKET HEAD CAP SCREWS.	
9	STORAGE BOX VELVET PAD	HORWIN0102

ELECTRICAL MACHINERY



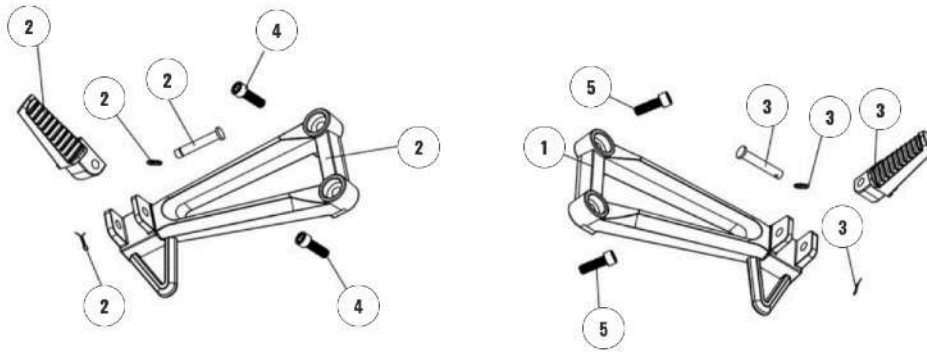
N°	PIÈCE	RÉFÉRENCE
1	MOTOR	HORWIN0199
2	ENGINE HANGING PLATE	
3	GALVANIZED M8*55 SCREW (WHITE)	
4	GALVANIZED M8 SELF-LOCKING NUT (WHITE)	
5	GALVANIZED M10 SELF-LOCKING NUT (WHITE)	
6	GALVANIZED M10*55 SCREW (WHITE)	
7	GALVANIZED M12 SELF-LOCKING NUT (WHITE)	
8	GALVANIZED M12*125 SCREW (WHITE)	
9	GALVANIZED M12*100 SCREW (WHITE)	
10	SMALL SPROCKET	HORWIN0060
11	DRIVE SPROCKET FIXING PLATE	HORWIN0033
12	GALVANIZED M6*25 BOLTS WITHOUT FLANGE(WHITE)	
13	CHAIN COVER	HORWIN0070
14	GALVANIZED M6*12 NON-STANDARD HEXAGON. STEP 2.6	

WIRE HARNESS



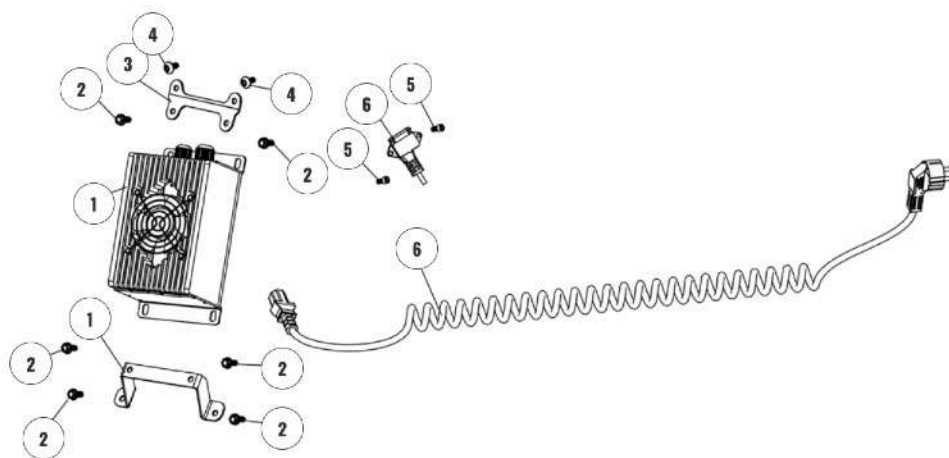
N°	PIÈCE	RÉFÉRENCE
1	HORN	HORWIN0051
2	CONVERTER	HORWIN0141
3	CENTRAL CONTROLLER	HORWIN0193
4	MAIN CABLE. DIRECT DRIVE	HORWIN0178
5	GALVANIZED M6*12 SCREW (WHITE)	
6	GALVANIZED M6*12 CYLINDRICAL HEXAGON SCREW (WHITE)	
7	THROTTLE CONVERTER	HORWIN0093
8	GALVANIZED M4*15 CYLINDRICAL HEX SCREW(WHITE)	
9	GALVANIZED M5*12 SCREW (WHITE)	
10	THROTTLE CABLE	HORWIN0058
11	GALVANIZED CROSS BOLT AND GASKET (WHITE) M5*12	

REAR FOOTREST



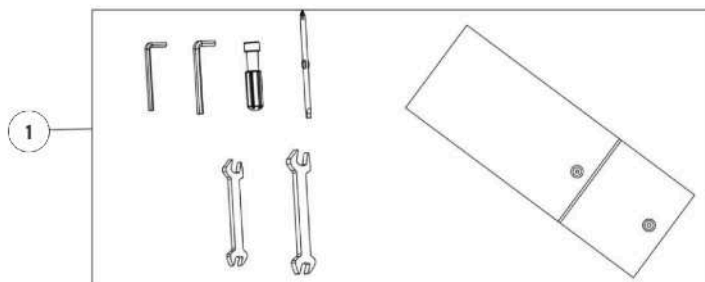
N°	PIÈCE	RÉFÉRENCE
1	REAR LEFT PEDAL SUPPORT	HORWIN0157
2	REAR RIGHT PEDAL (WITH ACCESSORIES)	HORWIN0085
3	REAR LEFT PEDAL (WITH ACCESSORIES)	HORWIN0086
4	GALVANIZED M8*25 CYLINDRICAL HEXAGON SCREW(WHITE)	
5	GALVANIZED M8*30 CYLINDRICAL HEXAGON SCREW(WHITE)	

CHARGER



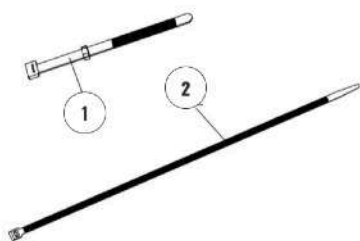
N°	PIÈCE	RÉFÉRENCE
1	VEHICLE CHARGER	HORWIN0198
2	GALVANIZED M6*15 SCREW (WHITE)	
3	VEHICLE CHARGER BRACKET	
4	GALVANIZED M6*12 NON-STANDARD HEXON . STEP 2.6	
5	GALVANIZED M5*10 CYLINDRICAL HEXAGON SCREW(WHITE)	
6	VEHICLE CHARGER CABLE	HORWIN0173

TOOL BOX



N°	PIÈCE	RÉFÉRENCE
1	VEHICLE TOOLS	

RIBBON



N°	PIÈCE	RÉFÉRENCE
1	TIE	
2	TIE	



EK1	EK3
Démontage du phare avant	Démontage du phare avant
Démontage du panneau de bord	Démontage du panneau de bord
Démontage du panneau latéral	Démontage du moteur
Démontage du port usb de recharge	Démontage du convertisseur d'accélération et alarme
Démontage du cache décoratif de la fourche arrière	Démontage du port USB de recharge
Démontage du siège et colonne de direction	Démontage du phare avant
Démontage du cache avant bas	Démontage du panneau d'instruments
Démontage cache fond plat	Démontage du bloc phare déjà retiré
Démontage repose-pieds	Démontage serrure
Remplacer le convertisseur DC avant	Démontage clignotants
Démonter le garde-boue arrière	Démontage coffre et siège
Démontage de la suspension arrière	Démonter le contrôleur
Chemin de câblage	Démonter le convertisseur DC
Remplacement levier de frein	Démonter la bordure latérale
Remplacer le bloc frein avant	Démontage accoudoir et façade
Démontage du clignotant	Démontage des caches latéraux et cache feu arrière
Démontage du convertisseur d'accélération	Démontage du coffre avant
Démontage de la serrure et du DC arrière	Démontage du panneau décoratif de la fourche arrière
Démontage du coffre avant et repose pieds	Démontage du frein
Démontage du moteur dans le moyeu arrière	Démontage de la chaîne
Retrait des caches latéraux et du cache du feu arrière	Pose pare-brise
Pose pare-brise	